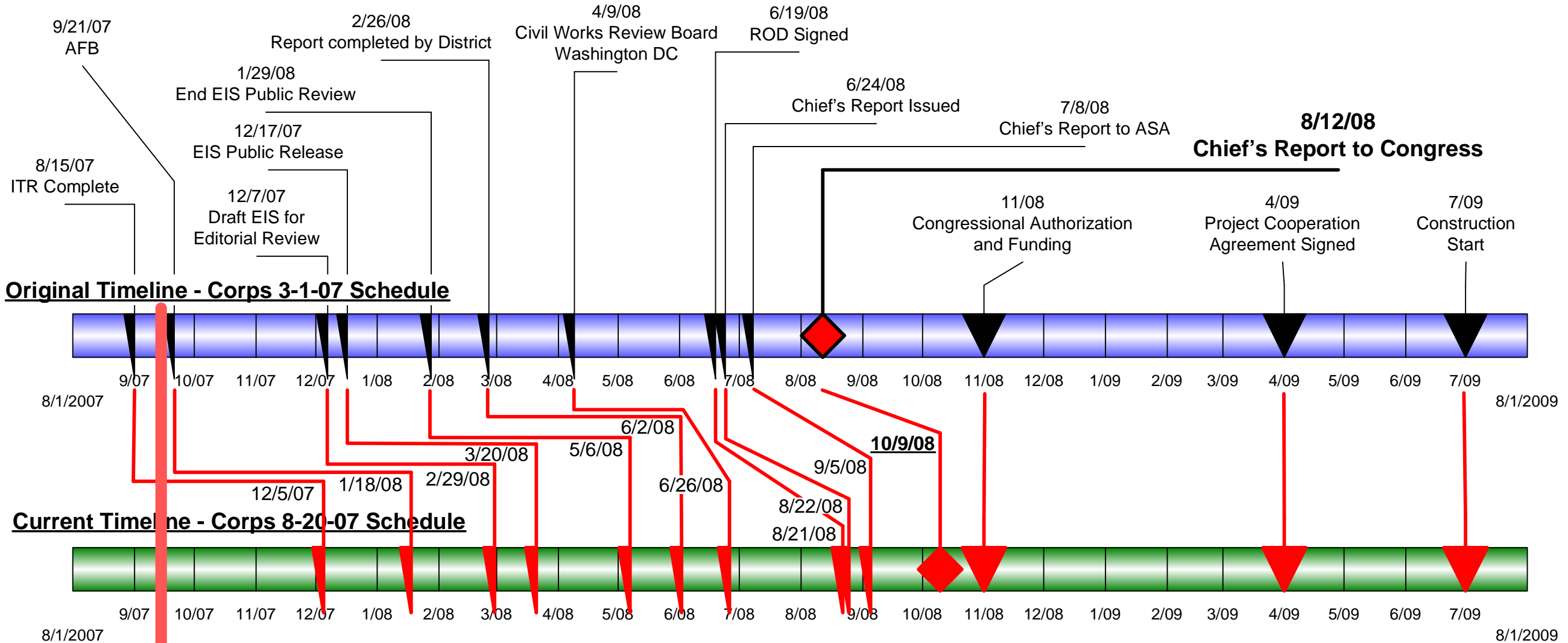


# TRUCKEE RIVER FLOOD MANAGEMENT PROJECT TIMELINE TO GET TO START OF CONSTRUCTION

FRIDAY SEPTEMBER 14, 2007



**FPCC Meeting  
9-14-07**

AFB = Alternative Formulation Board  
The EIS Alternatives are Selected at the AFB Meeting

ASA = Assistant Secretary of the Army

ROD = Record of Decision

EIS = Environmental Impact Statement

ITR = Independent Technical Review

HQ = Corps Headquarters in Washington DC